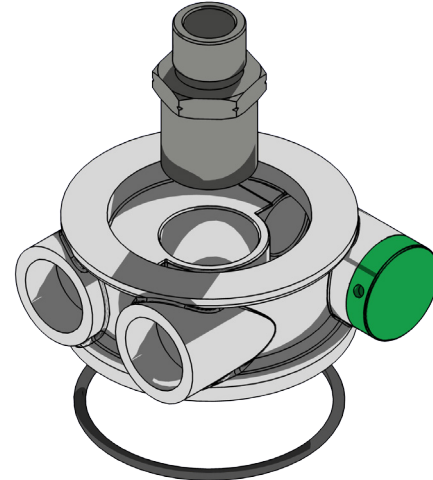


Please read these instructions completely before beginning installation.

KIT CONTENTS

QTY.	DESCRIPTION
1	Sandwich adapter plate with Setrab ProLine M22x1.5 ports (adapter fittings sold separately)
1	Thermostatic oil valve (pre-assembled into sandwich adapter plate)
1	Extension screw for oil filter stem
1	O-ring for oil filter mount surface



PART NUMBER	OIL FILTER STEM
19-SPT76-20-180-22	M20x1.5
19-SPT76-22-180-22	M22x1.5
19-SPT76-34-180-22	3/4"-16

INSTALLATION

This sandwich adapter is designed to allow access of oil supply for the plumbing of an external oil cooler. The built-in thermostatic oil valve allows oil to by-pass the oil cooler until the vehicle reaches operating temperature.

Part 1: Vehicle preparation

1. Prepare the vehicle for installation: allow to cool completely. Remove factory engine oil filter and clean the oil filter landing of oil and debris.

Part 2: Adapter fitting installation

2. Lubricate threads and O-rings on M22x1.5 adapter fittings (sold separately) with oil and thread into sandwich adapter plate to hand-tight.
3. Tighten fittings with wrench until metal surfaces meet or to 29.5 lb.-ft. (40 Nm).

Part 3: Sandwich adapter installation

4. Lubricate large O-ring with oil and insert into O-ring groove on rear of sandwich adapter plate.
5. Match sandwich adapter plate onto engine's oil filter landing.
6. Insert extension screw through sandwich adapter plate center and thread onto engine oil filter stem.
7. Tighten extension screw to 20 lb.-ft. (27.1 Nm) or to factory specifications of engine oil filter.

IMPORTANT

The sandwich adapter plate is machined with ProLine M22x1.5 threaded ports and must have an O-ring style fitting. For a wide range of compatible fittings, visit: www.setrabusa.com

8. Ensure adequate clearance of sandwich adapter plate and adapter fittings around any moving parts, exhaust systems, or sharp edges that could cause hose or component failure or interference.
9. Install engine oil filter to factory specifications.
10. Vehicle is now ready for plumbing of external oil cooler.

ACCESSORY PARTS AVAILABLE

sūsa ProLine Direct-port Adapter System includes M22-AN Adapters & Hose Ends in -6, -8, -10, -12, available in orientations 00° straight, 45°, 90°

sūsa AN Hose Ends are available in PushLock and ReUsable varieties in many sizes and orientations

Warning: Installation should only be attempted by those with mechanical skills and experience working on vehicles. Standard safety precautions consistent with the tools and dangers of automotive work should be followed to protect from injury. Specifically, wear protective equipment, take care to stabilize the vehicle on a level surface, engage the parking brake, and allow vehicle to cool before attention installation; failure to comply can result in injury and/or damage to equipment.