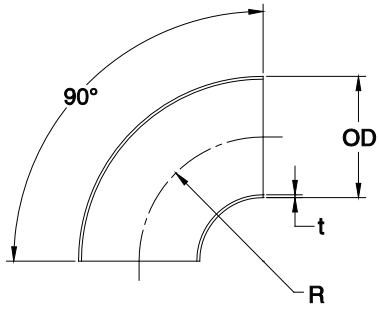


Bends (tight):



Part No.	Description	O/D	R	t
U033880/R	Tight bend 1.5"	38.0	42	1.5
U034590/R	Tight bend 1 3/4"	44.5	48	1.5
U035190/R	Tight bend 2"	50.8	52	1.5
*U035790R	Tight bend 2 1/4"	57.0	58	1.5
U036390/R	Tight bend 2 1/2"	63.5	63	1.5
*U037090R	Tight bend 2.75"	70.0	62	1.5
U037690/R	Tight bend 3"	76.1	62	1.5
U038990/R	Tight bend 3 1/2"	88.9	76	1.5
U030290/R	Tight bend 4"	101.6	75	1.5
U032790/R	Tight bend 4 1/2"	127.0	100	2.0
<i>Tolerance</i>		$\pm 2\text{mm}$	$\pm 1\text{mm}$	$\pm 0.1\text{mm}$

* Stainless only