

<b>12V DC</b>		<b>13" (330mm) Suction</b>			<b>13" (330mm) Blowing</b>		
<b>Revotec part no</b>		<b>FAN0429HP</b>			<b>FAN0430HP</b>		
Full COMEX code		F53-12E8103-28S 2700.0429.00			F53-12E8103-28B 2700.0430.00		
Fan shroud type		F53			F53		
<b>Static pressure</b>		<b>Suction</b>			<b>Blowing</b>		
Pa	Inches H <sub>2</sub> O	Airflow m <sup>3</sup> /h	Airflow cfm	Current A	Airflow m <sup>3</sup> /h	Airflow cfm	Current A
0	0	<b>2390</b>	1410	9.2	<b>2300</b>	1360	8.7
25	0.1	<b>2200</b>	1300	9.5	<b>2120</b>	1250	8.9
50	0.2	<b>1980</b>	1170	9.5	<b>1920</b>	1130	9.0
75	0.3	<b>1730</b>	1020	9.6	<b>1600</b>	940	9.2
100	0.4	<b>1370</b>	810	9.5	<b>1110</b>	650	9.0
125	0.5	<b>870</b>	510	9.2	<b>590</b>	350	8.8
150	0.6	<b>420</b>	250	9.5	<b>190</b>	110	9.4
175	0.7	<b>50</b>	30	10.3	<b>0</b>	0	10.0
200	0.8	<b>0</b>	0	10.4			

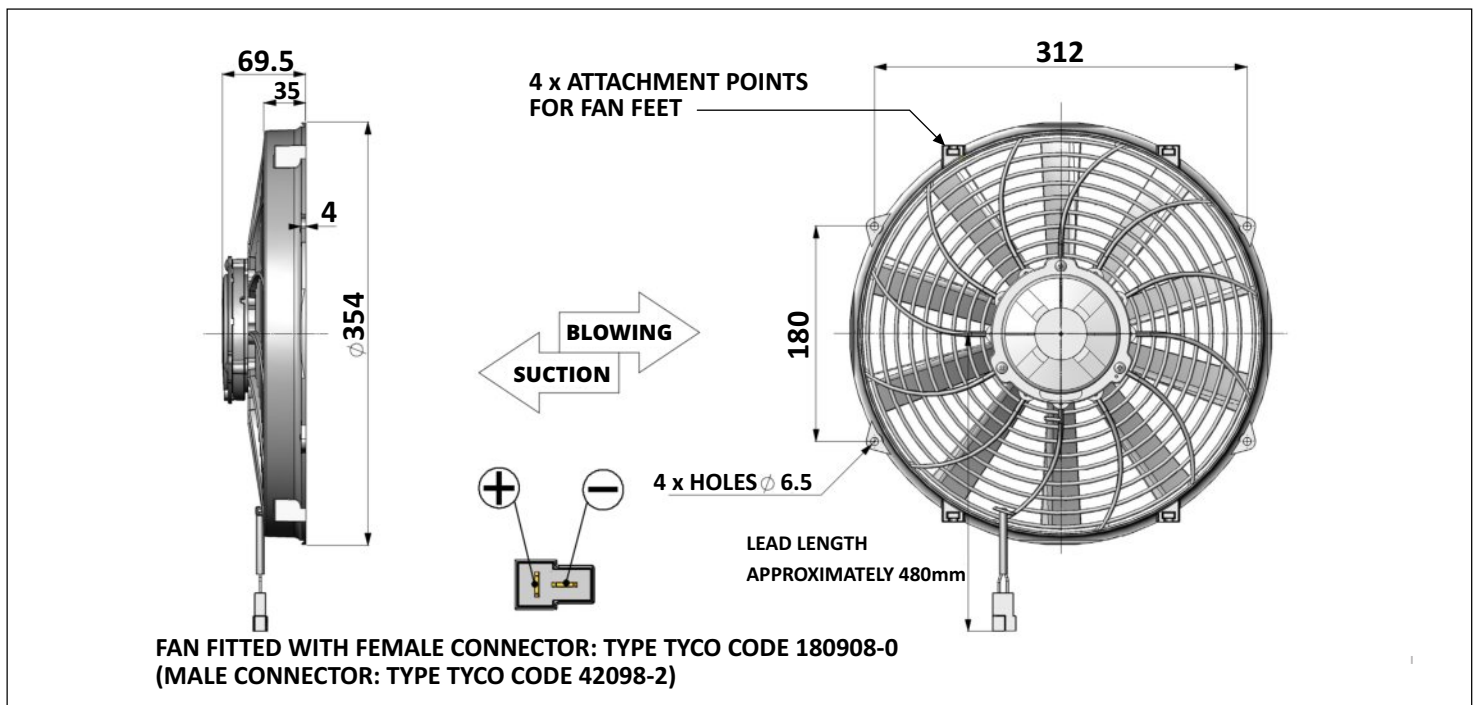


Suction/Blowing  
(Straight blade)

Test voltage 13.0 V DC

Weight 1.9 kg

3D model available email us: [sales@revotec.com](mailto:sales@revotec.com)



Notes: