

12V DC		6.5" (167mm) Suction			6.5" (167mm) Blowing		
Revotec part no		FAN0329			FAN0326		
Full COMEX code		F43-12E8012-19S 2700.0329.00			F43-12E8012-19B 2700.0326.00		
Fan shroud type		F43			F43		
Static pressure		Suction			Blowing		
Pa	Inches H ₂ O	Airflow m ³ /h	Airflow cfm	Current A	Airflow m ³ /h	Airflow cfm	Current A
0	0	560	330	7.8	450	270	6.9
25	0.1	520	310	7.8	390	230	6.8
50	0.2	480	280	7.7	320	190	6.6
75	0.3	410	240	7.3	260	150	6.5
100	0.4	340	200	6.9	220	130	6.8
125	0.5	320	190	7.0	200	120	7.0
150	0.6	300	180	7.2	180	110	7.1
175	0.7	280	170	7.4	160	90	7.4
200	0.8	260	150	7.6	130	80	7.6
250	1.0	210	120	7.8	70	40	7.9
300	1.2	150	90	7.9	20	10	8.2
350	1.4	80	50	8.2	0	0	8.2
400	1.6	0	0	8.6			

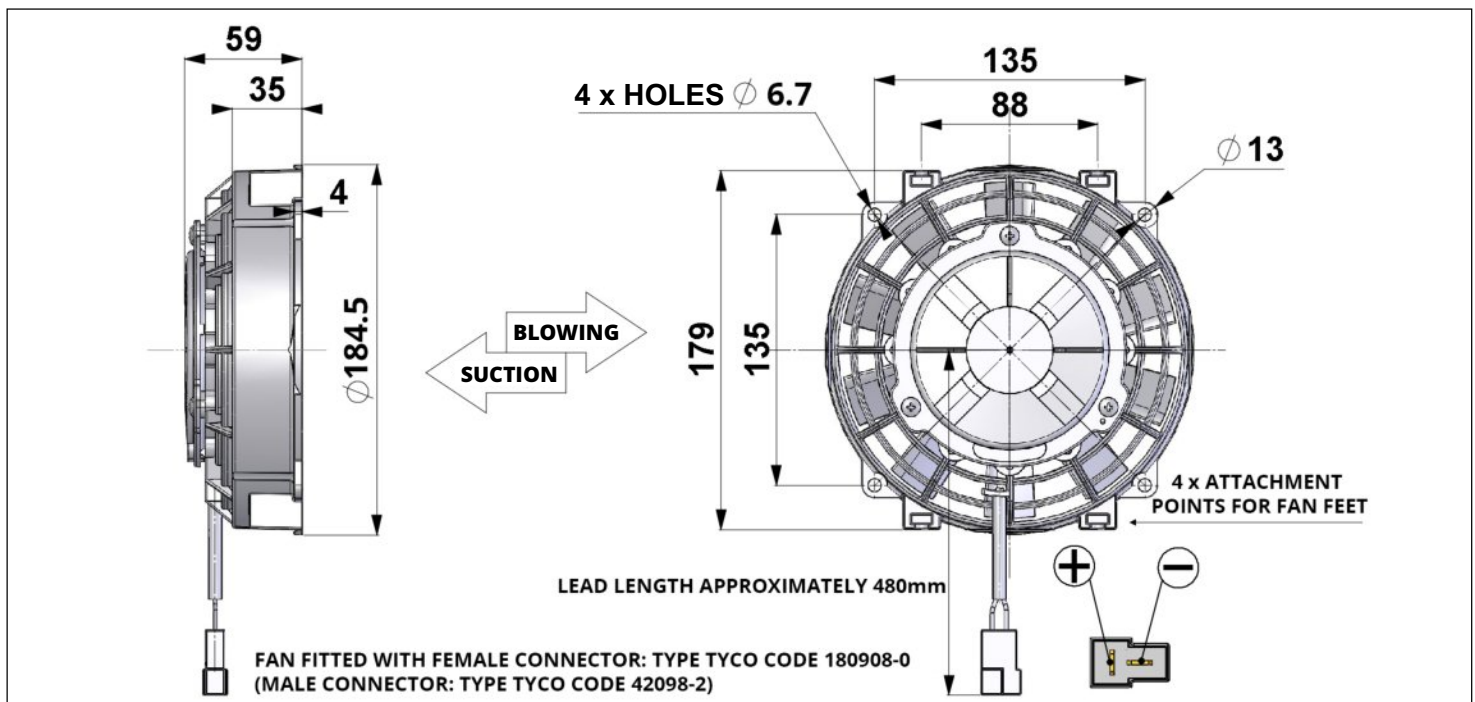


Suction/Blowing
(Straight blade)

Test voltage 13.0 V DC

Weight 1.1 kg

3D model available email us: sales@revotec.com



Notes: